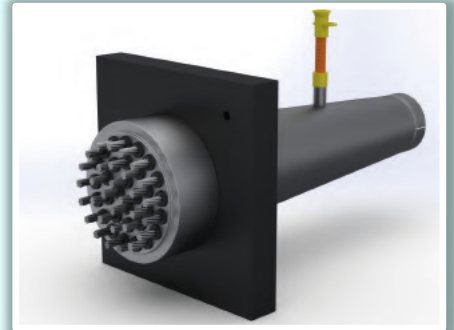
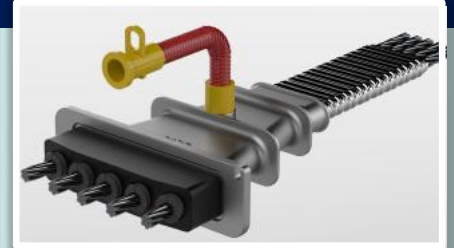


SARE GLOBAL

POSTTENSION SYSTEMS

-TECHNICAL DETAILS-



sare[®]
GLOBAL
High quality Turkish brand

DATA SHEET

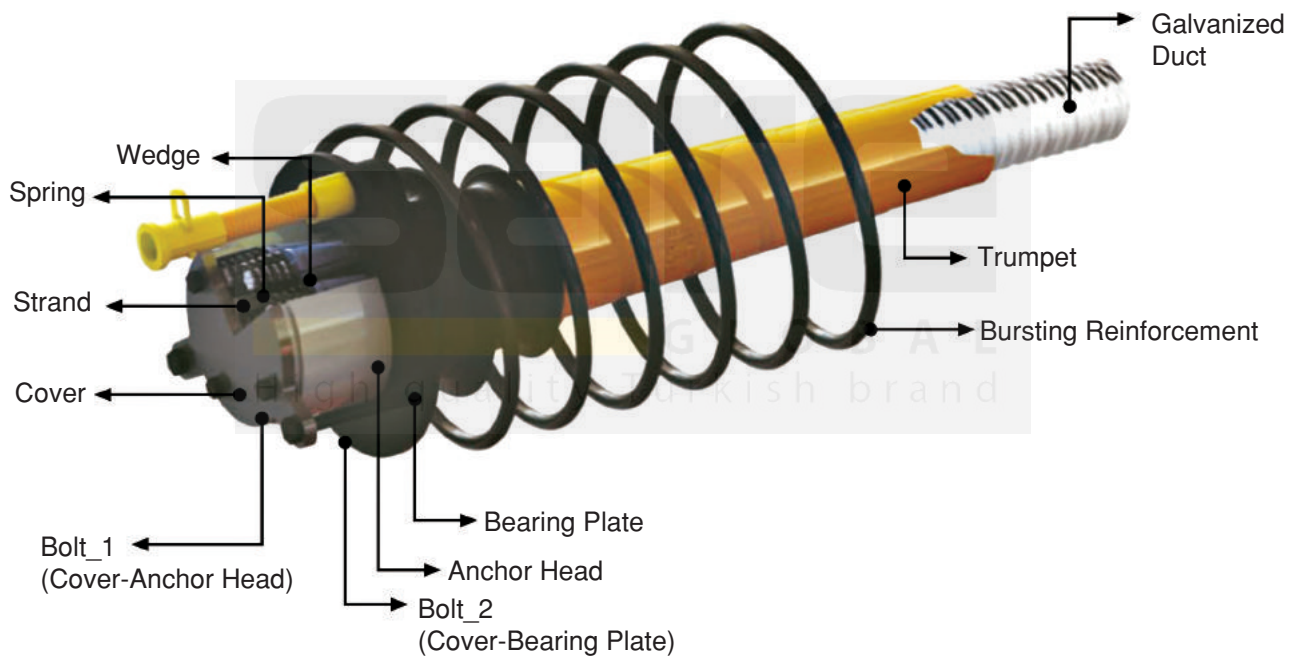
PG SERIES

PASSIVE TYPE

POST-TENSION

SYSTEMS

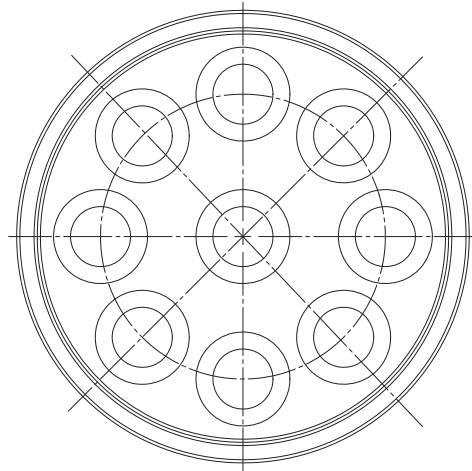




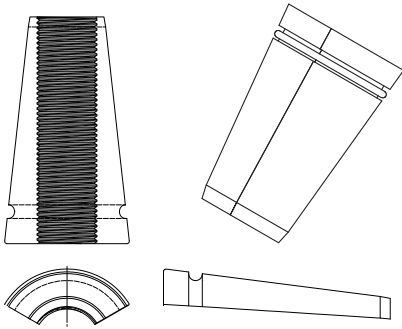
Strand



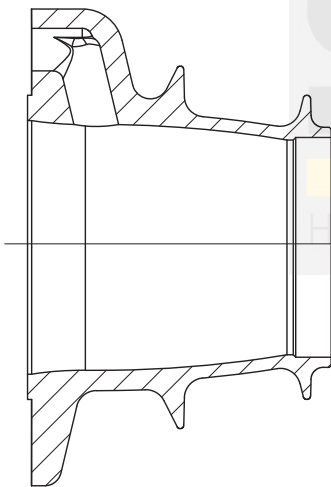
Anchor Head



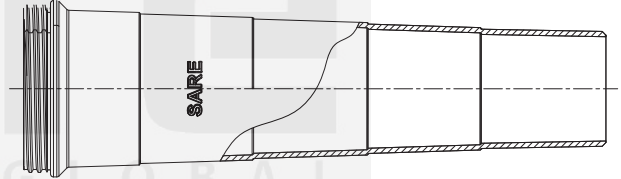
Wedge



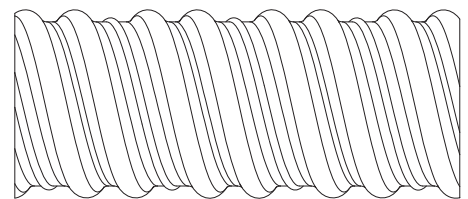
Bearing Plate



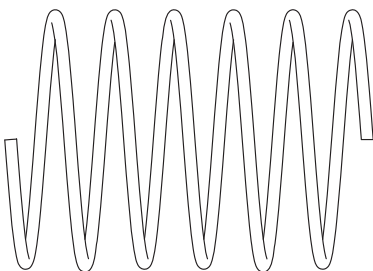
Trumpet



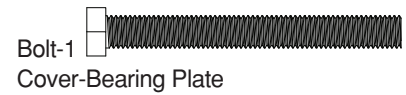
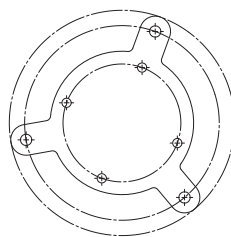
Galvanized Duct

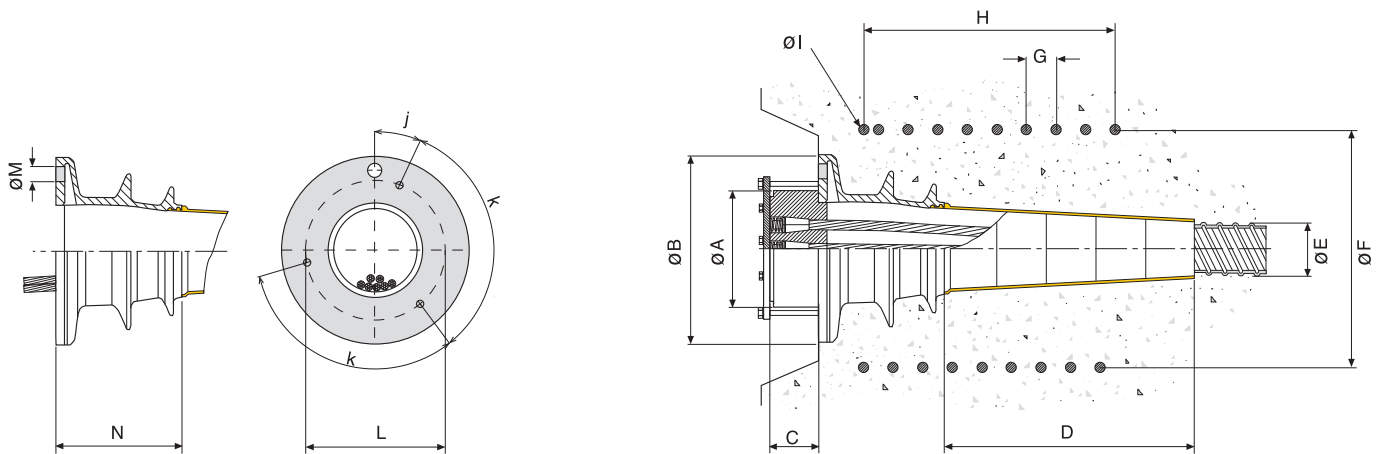


Bursting Reinforcement

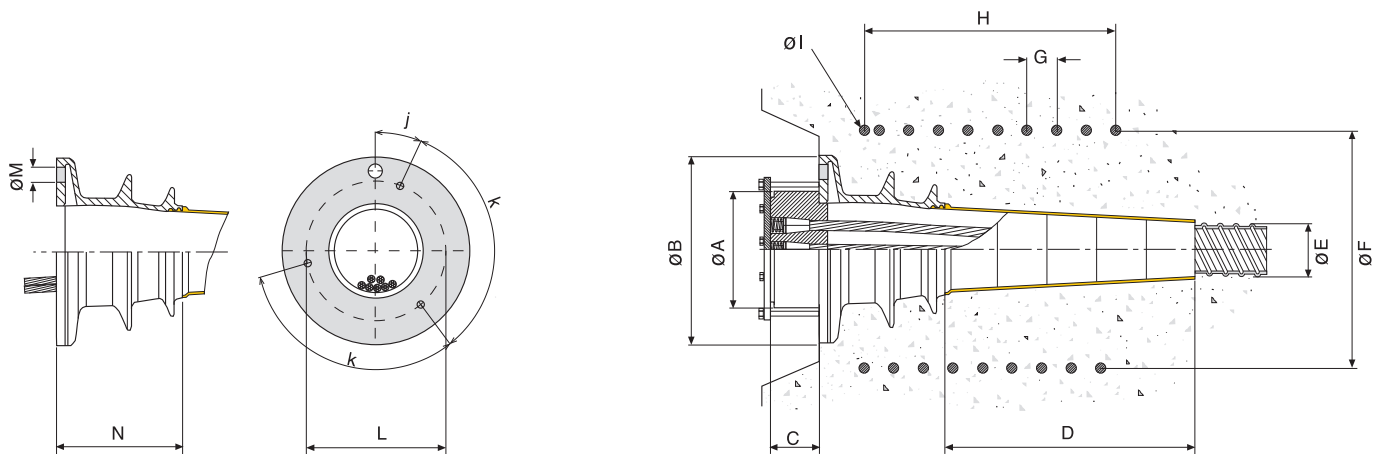


Cover







Model No		PG 4	PG 7	PG 9	PG 12	PG 15
Number of Strands		4	7	9	12	15
Strands Arrangement						
Min. Concrete Strength in MPa	f _{cm,0}	40	40	40	40	40
ANCHOR HEAD						
A	Ø (mm)	Ø 105	Ø 123	Ø 146	Ø 157	Ø 175
B	Ø (mm)	Ø 182	Ø 200	Ø 235	Ø 260	Ø 290
C	mm	80	80	80	80	80
TRUMPET						
D	mm	308	334	372	386	403
GALVANIZED DUCT						
E	Ø (mm)	Ø 50	Ø 60	Ø 75	Ø 85	Ø 95
Internal Dia.	Ø (mm)	Ø 45	Ø 55	Ø 70	Ø 80	Ø 90
HELIX						
F	Ø (mm)	Ø 170	Ø 220	Ø 250	Ø 310	Ø 350
G	mm	50	60	60	60	65
H	mm	300	360	360	420	455
I	Ø (mm)	Ø 10	Ø 12	Ø 12	Ø 14	Ø 14
BEARING PLATE						
J	Ø (mm)	90°	30°	20°	20°	20°
K	Ø (mm)	180°	120°	120°	120°	120°
L	mm	Ø 124	Ø 145	Ø 190	Ø 203	Ø 235
M	mm	G 3/4"	G 3/4"	G 3/4"	G 3/4"	G 3/4"
N	Ø (mm)	115	133	164	170	194




Model No		PG 19	PG 22	PG 27	PG 31
Number of Strands		19	22	27	31
Strands Arrangement					
Min. Concrete Strength in MPa	$f_{cm,0}$	40	40	40	40
ANCHOR HEAD					
A	Ø (mm)	Ø 197	Ø 227	Ø 250	Ø 266
B	Ø (mm)	Ø 324	Ø 351	Ø 378	Ø 401
C	mm	91	96	105	114
TRUMPET					
D	mm	431	414	472	617
GALVANIZED DUCT					
E	Ø (mm)	Ø 100	Ø 115	Ø 120	Ø 125
Internal Dia.	Ø (mm)	Ø 95	Ø 110	Ø 115	Ø 120
HELIX					
F	Ø (mm)	Ø 400	Ø 430	Ø 470	Ø 640
G	mm	70	70	80	80
H	mm	490	560	640	640
I	Ø (mm)	Ø 16	Ø 16	Ø 20	Ø 20
BEARING PLATE					
J	Ø (mm)	20°	20°	15°	15°
K	Ø (mm)	120°	120°	120°	120°
L	mm	Ø 235	Ø 290	Ø 325	Ø 350
M	mm	G 3/4"	G 1"	G 1"	G 1"
N	Ø (mm)	207	246	263	280


PG Series - Order Numbers


Group Model No.	Product Description		Order Number
	4 Strand 1140 kN Passive Type Post Tension Set		AG.60-04.00
	AH-4P	Passive Anchor Head	AH.60-04.00
	SPR06	Spring	SPR.6062.00
	C.AH4	Cover Anchor Head	C.6062-04.00
	LB-4	Anchor bold	LB-6062-04.00
	BB-4	Iron Block bold	BB-6062-04.00
	Nu.D-4IB	Iron Block	IB.6062-04.01
	Nu.D-4T	Trumpet	T.05662-04.01
	Nu.D-06W	Wedges	PTW.06-00


	7 Strand 1995 kN Passive Type Post Tension Set		PG.60-07.00
	AH-7P	Passive Anchor Head	AH.60-07.00
	SPR06	Spring	SPR.6062.00
	C.AH7	Cover Anchor Head	C.6062-07.00
	LB-7	Anchor bold	LB-6062-07.00
	BB-7	Iron Block bold	BB-6062-07.00
	Nu.D-7IB	Iron Block	IB.6062-07.01
	Nu.D-7T	Trumpet	T.05662-07.01
	Nu.D-06W	Wedges	PTW.06-00

	9 Strand 2565 kN Passive Type Post Tension Set		AG.60-09.00
	AH-9P	Passive Anchor Head	AH.60-09.00
	SPR06	Spring	SPR.6062.00
	C.AH9	Cover Anchor Head	C.6062-09.00
	LB-9	Anchor bold	LB-6062-09.00
	BB-9	Iron Block bold	BB-6062-09.00
	Nu.D-9IB	Iron Block	IB.6062-09.01
	Nu.D-9T	Trumpet	T.05662-09.01
	Nu.D-06W	Wedges	PTW.06-00


PG Series - Order Numbers


Group Model No.	Product Description		Order Number
PG-12	12 Strand 3420 kN Passive Type Post Tension Set		AG.60-12.00
	AH-12P	Passive Anchor Head	AH.60-12.00
	SPR06	Spring	SPR.6062.00
	C.AH12	Cover Anchor Head	C.6062-12.00
	LB-12	Anchor bold	LB-6062-12.00
	BB-12	Iron Block bold	BB-6062-12.00
	Nu.D-12IB	Iron Block	IB.6062-12.01
	Nu.D-12T	Trumpet	T.05662-12.01
	Nu.D-06W	Wedges	PTW.06-00


PG-15	15 Strand 4275 kN Passive Type Post Tension Set		PG.60-15.00
	AH-15P	Passive Anchor Head	AH.60-15.00
	SPR06	Spring	SPR.6062.00
	C.AH15	Cover Anchor Head	C.6062-15.00
	LB-15	Anchor bold	LB-6062-15.00
	BB-15	Iron Block bold	BB-6062-15.00
	Nu.D-15IB	Iron Block	IB.6062-15.01
	Nu.D-15T	Trumpet	T.05662-15.01
	Nu.D-06W	Wedges	PTW.06-00

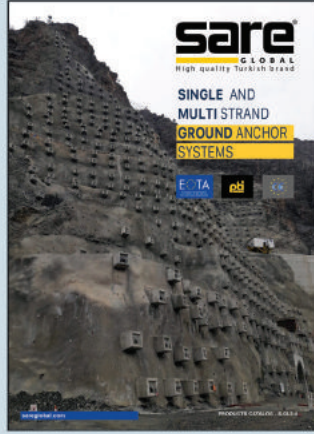
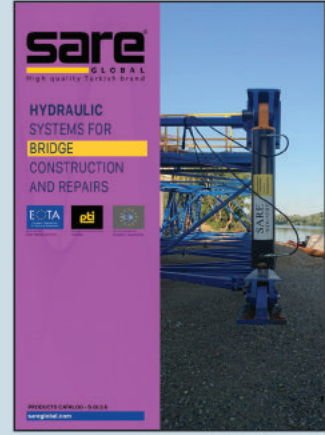
PG-19	19 Strand 5415 kN Passive Type Post Tension Set		AG.60-19.00
	AH-19P	Passive Anchor Head	AH.60-19.00
	SPR06	Spring	SPR.6062.00
	C.AH19	Cover Anchor Head	C.6062-19.00
	LB-19	Anchor bold	LB-6062-19.00
	BB-19	Iron Block bold	BB-6062-19.00
	Nu.D-19IB	Iron Block	IB.6062-19.01
	Nu.D-19T	Trumpet	T.05662-19.01
	Nu.D-06W	Wedges	PTW.06-00

PG Series - Order Numbers

Group Model No.	Product Description		Order Number
	22 Strand 6270 kN Passive Type Post Tension Set		AG.60-22.00
	AH-22P	Passive Anchor Head	AH.60-22.00
	SPR06	Spring	SPR.6062.00
	C.AH22	Cover Anchor Head	C.6062-22.00
	LB-22	Anchor bold	LB-6062-22.00
	BB-22	Iron Block bold	BB-6062-22.00
	Nu.D-22IB	Iron Block	IB.6062-22.01
	Nu.D-22T	Trumpet	T.05662-22.01
	Nu.D-06W	Wedges	PTW.06-00

	27 Strand 7695 kN Passive Type Post Tension Set		PG.60-27.00
	AH-27P	Passive Anchor Head	AH.60-27.00
	SPR06	Spring	SPR.6062.00
	C.AH27	Cover Anchor Head	C.6062-27.00
	LB-27	Anchor bold	LB-6062-27.00
	BB-27	Iron Block bold	BB-6062-27.00
	Nu.D-27IB	Iron Block	IB.6062-27.01
	Nu.D-27T	Trumpet	T.05662-27.01
	Nu.D-06W	Wedges	PTW.06-00

	31 Strand 8835 kN Passive Type Post Tension Set		PG.60-31.00
	AH-31P	Passive Anchor Head	AH.60-31.00
	SPR06	Spring	SPR.6062.00
	C.AH31	Cover Anchor Head	C.6062-31.00
	LB-31	Anchor bold	LB-6062-31.00
	BB-31	Iron Block bold	BB-6062-31.00
	Nu.D-31IB	Iron Block	IB.6062-31.01
	Nu.D-31T	Trumpet	T.05662-31.01
	Nu.D-06W	Wedges	PTW.06-00



sare[®]
GLOBAL
High Quality Turkish Brand

Merkez Mah. Çavuşbaşı Cad. No.42 D.5-8 Çekmeköy 34782 İstanbul - Türkiye
P: +90 216 313 11 13 pbx
info@sareglobal.com • www.sareglobal.com

