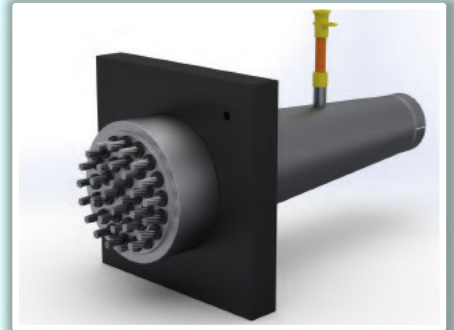


SARE GLOBAL POSTTENSION SYSTEMS

-TECHNICAL DETAILS-

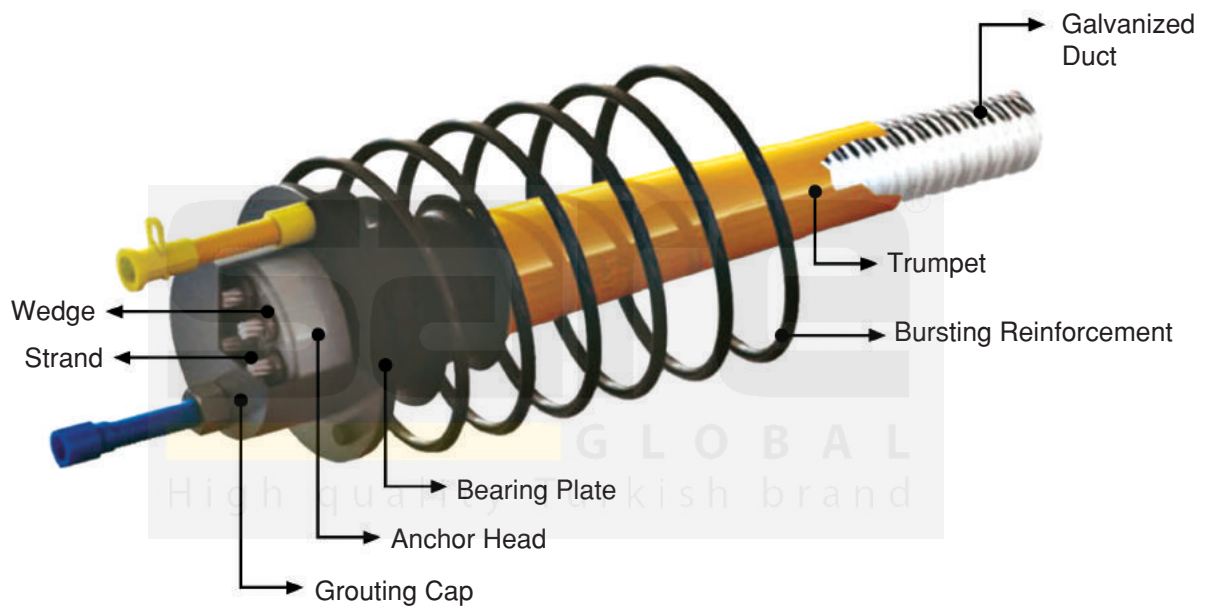


sare[®]
GLOBAL
High quality Turkish brand

DATA SHEET

AG SERIES
ACTIVE TYPE
POST-TENSION
SYSTEMS

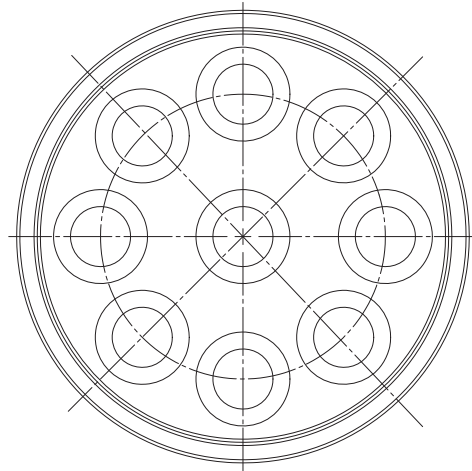




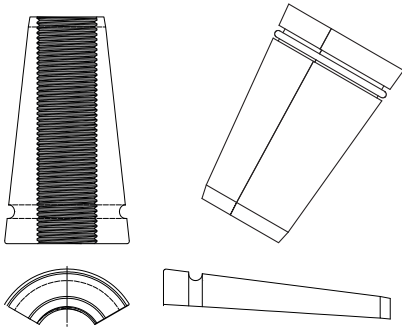
Strand



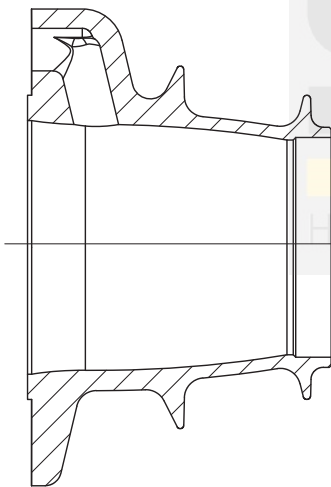
Anchor Head



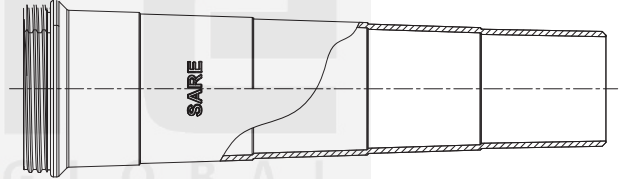
Wedge



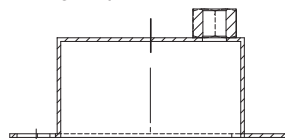
Bearing Plate



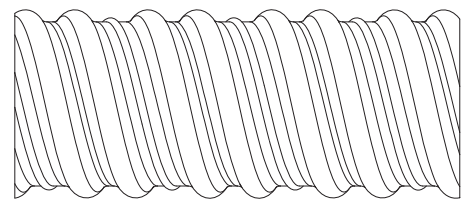
Trumpet



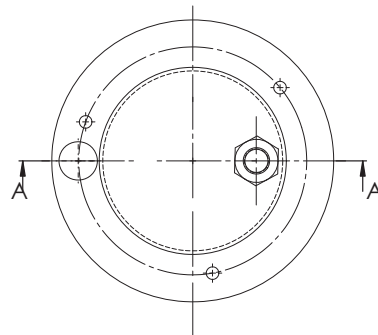
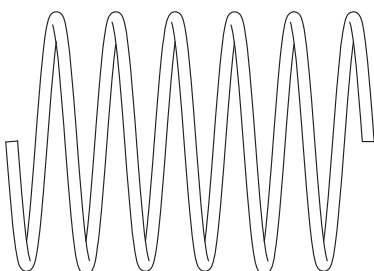
Grouting Cap

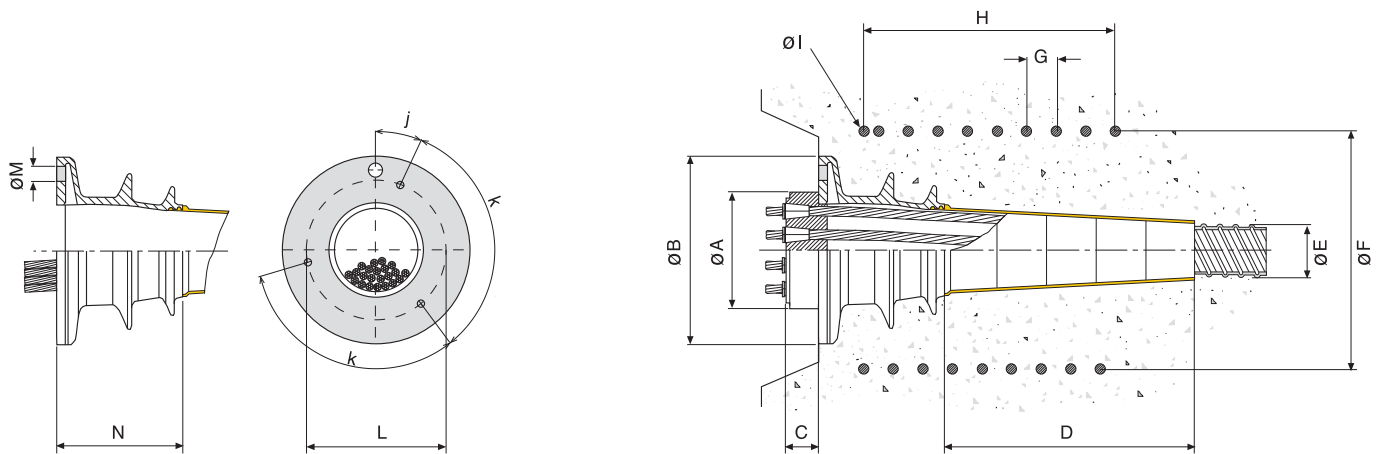







Galvanized Duct

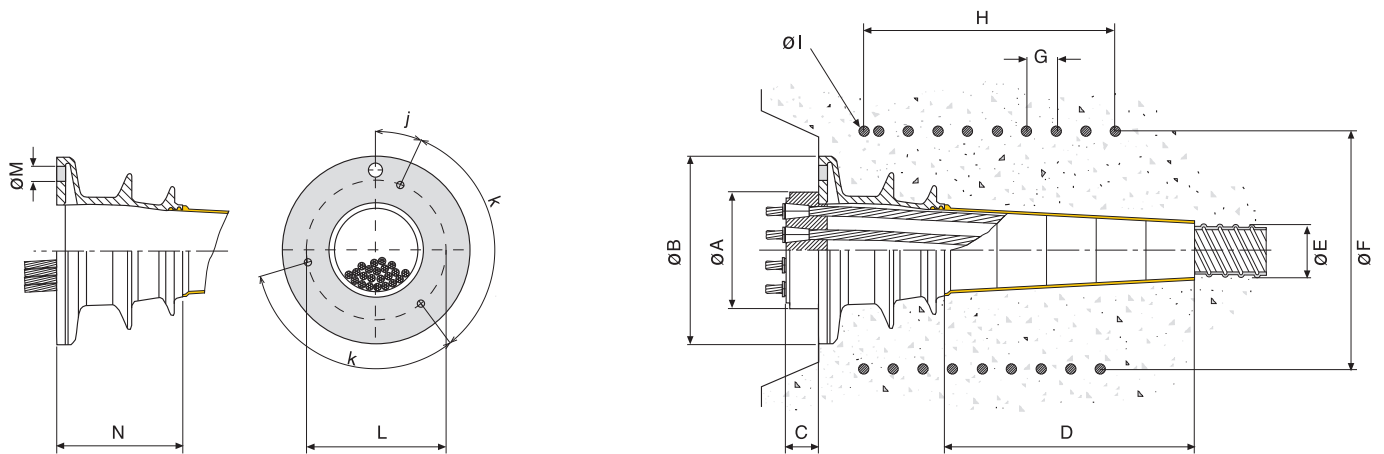


Bursting Reinforcement





Model No		AG 4	AG 7	AG 9	AG 12	AG 15
Number of Strands		4	7	9	12	15
Strands Arrangement						
Min. Concrete Strength in MPa	f _{cm,0}	40	40	40	40	40
ANCHOR HEAD						
A	Ø (mm)	Ø 105	Ø 123	Ø 146	Ø 157	Ø 175
B	Ø (mm)	Ø 182	Ø 200	Ø 235	Ø 260	Ø 290
C	mm	48	49	49	58	62
TRUMPET						
D	mm	308	334	372	386	403
GALVANIZED DUCT						
E	Ø (mm)	Ø 50	Ø 60	Ø 75	Ø 85	Ø 95
Internal Dia.	Ø (mm)	Ø 45	Ø 55	Ø 70	Ø 80	Ø 90
HELIX						
F	Ø (mm)	Ø 170	Ø 220	Ø 250	Ø 310	Ø 350
G	mm	50	60	60	60	65
H	mm	300	360	360	420	455
I	Ø (mm)	Ø 10	Ø 12	Ø 12	Ø 14	Ø 14
BEARING PLATE						
J	Ø (mm)	90°	30°	20°	20°	20°
K	Ø (mm)	180°	120°	120°	120°	120°
L	mm	Ø 124	Ø 145	Ø 190	Ø 203	Ø 235
M	mm	G 3/4"	G 3/4"	G 3/4"	G 3/4"	G 3/4"
N	Ø (mm)	115	133	164	170	194



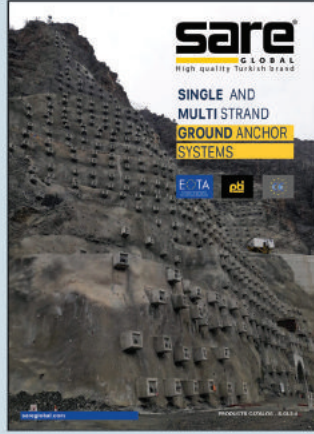
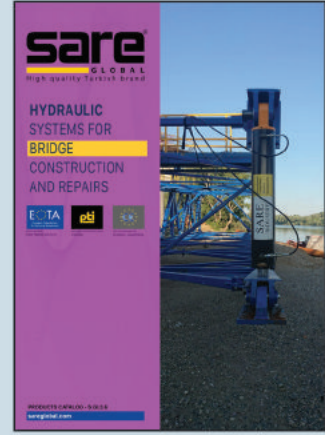
Model No		AG 19	AG 22	AG 27	AG 31
Number of Strands		19	22	27	31
Strands Arrangement					
Min. Concrete Strength in MPa	f _{cm,0}	40	40	40	40
ANCHOR HEAD					
A	Ø (mm)	Ø 197	Ø 227	Ø 250	Ø 266
B	Ø (mm)	Ø 324	Ø 351	Ø 378	Ø 401
C	mm	67	73	86	96
TRUMPET					
D	mm	431	414	472	617
GALVANIZED DUCT					
E	Ø (mm)	Ø 100	Ø 115	Ø 120	Ø 125
Internal Dia.	Ø (mm)	Ø 95	Ø 110	Ø 115	Ø 120
HELIX					
F	Ø (mm)	Ø 400	Ø 430	Ø 470	Ø 640
G	mm	70	70	80	80
H	mm	490	560	640	640
I	Ø (mm)	Ø 16	Ø 16	Ø 20	Ø 20
BEARING PLATE					
J	Ø (mm)	20°	20°	15°	15°
K	Ø (mm)	120°	120°	120°	120°
L	mm	Ø 235	Ø 290	Ø 325	Ø 350
M	mm	G 3/4"	G 1"	G 1"	G 1"
N	Ø (mm)	207	246	263	280

AG Series - Order Numbers

Group Model No.	Product Description		Order Number
	4 Strand 1140 kN Active Type Post Tension Set		AG.60-04.01
	AH-4A	Anchor Head	AH.60-04.01
	Nu.D-4IB	Iron Block	IB.6062-04.01
	Nu.D-4T	Trumpet	T.05662-04.01
	Nu.D-06W	Wedges	PTW.06-00
	7 Strand 1995 kN Active Type Post Tension Set		AG.60-07.01
	AH-7A	Anchor Head	AH.60-07.01
	Nu.D-7IB	Iron Block	IB.6062-07.01
	Nu.D-7T	Trumpet	T.05662-07.01
	Nu.D-06W	Wedges	PTW.06-00
	9 Strand 2565 kN Active Type Post Tension Set		AG.60-09.01
	AH-9A	Anchor Head	AH.60-09.01
	Nu.D-9IB	Iron Block	IB.6062-09.01
	Nu.D-9T	Trumpet	T.05662-09.01
	Nu.D-06W	Wedges	PTW.06-00
	12 Strand 3420 kN Active Type Post Tension Set		AG.60-12.01
	AH-12A	Anchor Head	AH.60-12.01
	Nu.D-12IB	Iron Block	IB.6062-12.01
	Nu.D-12T	Trumpet	T.05662-12.01
	Nu.D-06W	Wedges	PTW.06-00
	15 Strand 4275 kN Active Type Post Tension Set		AG.60-15.01
	AH-15A	Anchor Head	AH.60-15.01
	Nu.D-15IB	Iron Block	IB.6062-15.01
	Nu.D-15T	Trumpet	T.05662-15.01
	Nu.D-06W	Wedges	PTW.06-00

AG Series - Order Numbers

Group Model No.	Product Description		Order Number
AG-19 	19 Strand 5415 kN Active Type Post Tension Set		AG.60-19.01
	AH-19A	Anchor Head	AH.60-19.01
	Nu.D-19IB	Iron Block	IB.6062-19.01
	Nu.D-19T	Trumpet	T.05662-19.01
	Nu.D-06W	Wedges	PTW.06-00
AG-22 	22 Strand 6270 kN Active Type Post Tension Set		AG.60-22.01
	AH-22A	Anchor Head	AH.60-22.01
	Nu.D-22IB	Iron Block	IB.6062-22.01
	Nu.D-22T	Trumpet	T.05662-22.01
	Nu.D-06W	Wedges	PTW.06-00
AG-27 	27 Strand 7695 kN Active Type Post Tension Set		AG.60-27.01
	AH-27A	Anchor Head	AH.60-27.01
	Nu.D-27IB	Iron Block	IB.6062-27.01
	Nu.D-27T	Trumpet	T.05662-27.01
	Nu.D-06W	Wedges	PTW.06-00
AG-31 	31 Strand 8835 kN Active Type Post Tension Set		AG.60-31.01
	AH-31A	Anchor Head	AH.60-31.01
	Nu.D-31IB	Iron Block	IB.6062-31.01
	Nu.D-31T	Trumpet	T.05662-31.01
	Nu.D-06W	Wedges	PTW.06-00



sare[®]
GLOBAL
High Quality Turkish Brand

Merkez Mah. Çavuşbaşı Cad. No.42 D.5-8 Çekmeköy 34782 İstanbul - Türkiye
P: +90 216 313 11 13 pbx
info@sareglobal.com • www.sareglobal.com

